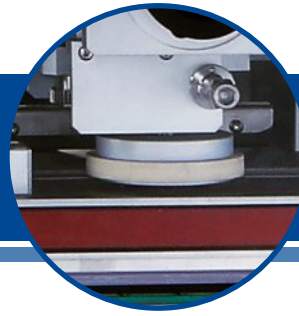




# CAP RETORQUER

## CVC 1208



The CVC 1208 In-Line Cap Retorquer is designed to retighten screw-on caps after induction sealing at speeds of up to 120 bottles per minute.

The 1208 is Siemens PLC controlled. Options include tower lamp, servo torque metering, reject, and reject verification.

### STANDARD FEATURES

- PLC Controlled
- Cap tightening station with 1 sets of spindles
- ISO 9001:2000 certified

3-color Tower Lamp ▶  
(option)



### CVC 1208 Technical Specifications

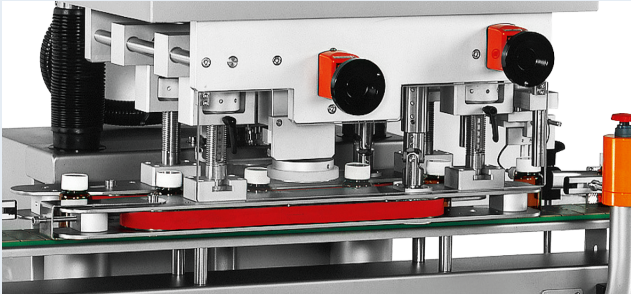
Productivity	Up to 180-200 PPM (subject to trial confirmation)
Applicable Size	Bottle: Dia: Ø30-110 mm (1 3/4" to 4 1/4") with Cap Height: 50-200mm (2" to 8 1/2")
Power Source	220 V, 50/60Hz, 1PH
Power Consumption	484 VA (2.2 A)
Air Pressure	6 bar (87 psi)
Air Consumption	28.5 NL/min (1 CFM)
Machine Dimensions ( L x W x H )	1,115 x 1,075 x 2095-2,265mm (3'-8" x 3'-6" x 6'-10"to7'-5") (approx)
Machine Weight	319 kg (5,368 lbs)
Noise Level	≤ 60 dB

Technical data contained in this material are not binding and may be subject to change without prior notice.

# TECHNICAL SPECIFICATIONS

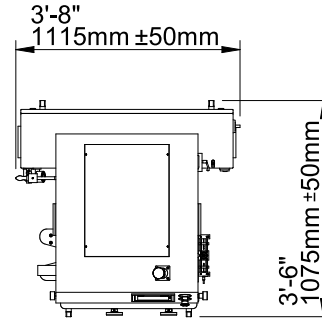
## AVAILABLE OPTIONS

- Motorized sanitary conveyor (6" wide belt available)
- Tower lamp, torque metering (servo motor)
- Rejection system, reject confirmation
- 21 CFR Part 11 License

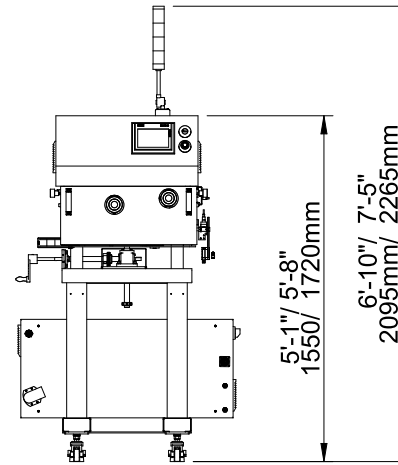


## MACHINE LAYOUTS

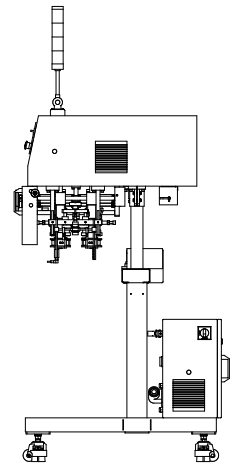
Top View



Front View



Side View



Technical data contained in this material are not binding and may be subject to change without prior notice.



## Contact Us

### USA

10861 Business Drive, Fontana, CA 92337  
Phone: +1 (909) 355-0311  
[www.cvcusa.com](http://www.cvcusa.com) ; [www.cvctechnologies.com](http://www.cvctechnologies.com)  
[sales@cvcusa.com](mailto:sales@cvcusa.com)

### Taiwan-Asia Pacific Headquarters

Phone: +886 (4) 2496-3666  
[sales@cvctechnologies.com](mailto:sales@cvctechnologies.com)

### India

Phone: +91 (22) 2562-1242, +91 (22) 2562-1243  
[sales@cvctechnologies.com](mailto:sales@cvctechnologies.com)

### China

Phone: +86 (512) 8363-6368  
[sales@cvctechnologies.com](mailto:sales@cvctechnologies.com)