



# INLINE CAPPER

with HOPPER ELEVATOR - CVC 1205



The CVC 1205 Capper is a very flexible machine designed to apply and tighten screw-on caps onto containers at rates of up to 120 bottles per minute. The CVC 1205 is Siemens PLC controlled. Options include tower lamp, hopper level control, cap inspection (level cap, foil seal, and no cap), reject, and reject verification.

## ▼ CVC 1200W & CVC 1205

CVC 1200W  
(CAP ELEVATOR SORTER)



### STANDARD FEATURES

- Siemens PLC Controlled
- Memory Capacity for 50 Jobs
- Cap Tightening Station with 3 Sets of Spindles
- 7.8 cuft. Integrated Cap
- ISO 9001:2015 Certified

### CVC 1205 Technical Specifications

Model	CVC 1205 + CVC 1200K	CVC 1205 + CVC 1200W
Type	U4	U4
Productivity	Up to 120-150 BPM (base on 40-100 cc round bottle, subject to trial confirmation)	Up to 100-120 BPM (base on 40-100 cc round bottle, subject to trial confirmation)
Applicable Size	Cap: Dia.: Ø28-60 mm (1 1/8" to 2 3/8") Height: 10-25 mm (3/8" to 1") Bottle: Dia.: Ø30-110 mm (1 1/4" to 4 1/4") with Cap Height: 50-220 mm (2" to 8 1/2")	Cap: Dia.: Ø30-110 mm (1 1/4" to 4 1/4") Height: 10-25 mm (3/8" to 1") Bottle: Dia.: Ø30-110 mm (1 1/4" to 4 1/4") with Cap Height: 50-220 mm (2" to 8 1/2")
Hopper Capacity	110 L (3.8 Cuft)	220 L (7.7 Cuft)
Power Source	220 V, 50/60 HZ, 1 PH	220 V, 50/60 HZ, 1 PH
Power Consumption	CVC 1205: 1,320 VA (6 A) CVC 1200K: 450 VA (2.1 A)	CVC 1205: 1,320 VA (6 A) CVC 1200W: 200 VA (0.9 A)
Air Pressure	6 bar (87psi)	6 bar (87psi)
Air Consumption	CVC 1205: 84 NL/min (2.9 CFM) CVC 1200K: 200 NL/min (7 CFM)	CVC 1205: 84 NL/min (2.9 CFM) CVC 1200W: 168 NL/min (5.8 CFM)
Machine Dimensions (L x W x H)	CVC 1205: 1,595x 1,105x 2,265 mm (5'-3"x 3'-8"x 7'-5") CVC 1200K: 780x 1,420x 2,290 mm (2'-7" x 4'-8" x 7'-6")	CVC 1205: 1,595x 1,105x 2,265 mm (5'-3"x 3'-8"x 7'-5") CVC 1200W: 1,385x 1,225x 2,380 mm (4'-7" x 4' x 7'-10")
Machine Weight	CVC 1205: 457 kg (1,008 lbs) CVC 1200K: 295 kg (651 lbs)	CVC 1205: 457 kg (1,008 lbs) CVC 1200W: 435 kg (959 lbs)
Noise Level	≤ 60dB	≤ 60 dB

Technical data contained in this material are not binding and may be subject to change without prior notice.

# TECHNICAL SPECIFICATIONS

## AVAILABLE OPTIONS

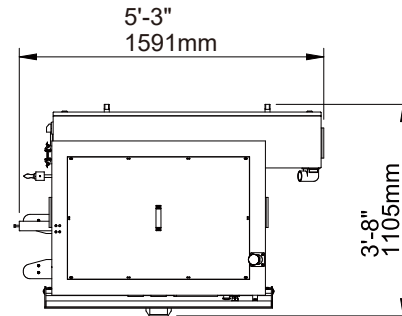
- Motorized Sanitary Conveyor  
(4 1/2" Wide Belt Standard or 6" Wide Belt Available)
- 3-Color Stack Tower Light
- Hopper Level Control
- Cap Inspection Package (Level Cap, No Cap, Foil Presence)
- Rejection System, Reject Verification
- Cap Roller Press Assembly



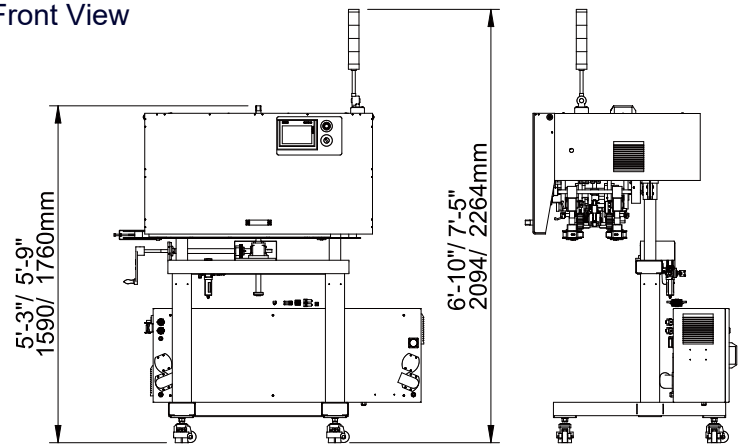
• CVC 1200K CENTRIFUGAL CAP SORTER

## MACHINE LAYOUTS

### Top View



### Front View



Technical data contained in this material are not binding and may be subject to change without prior notice.



CVC TECHNOLOGIES, INC.



## Contact Us

### USA

10861 Business Drive, Fontana, CA 92337  
Phone: +1 (909) 355-0311  
[www.cvctechnologies.com](http://www.cvctechnologies.com)  
[sales@cvcusa.com](mailto:sales@cvcusa.com)

### USA East Coast Office

1855 New Highway, Suite C, Farmingdale NY 11735  
[sales@cvcusa.com](mailto:sales@cvcusa.com)

### Taiwan-Asia Pacific Headquarters

Phone: +886 (4) 2496-3666  
[sales@cvctechnologies.com](mailto:sales@cvctechnologies.com)

### China/ India

[sales@cvctechnologies.com](mailto:sales@cvctechnologies.com)