



COTTON INSERTER CVC 1117D



The CVC 1117 Series of Cotton Inserter is designed to insert polyester, rayon, or cotton coil into

containers at speeds up to up to 80 bottles per minute. The CVC 1117D is Siemens PLC driven and Servo Motor controlled. Options include tower lamp, missing cotton in bottle detection, reject, and reject verification. The cotton piece length can be set from 70mm to 150mm. It can place from 1-10 inserts per bottles.

The CVC 1117 Series can be fitted over existing conveyor while the CVC 1117D, with the extended cotton head, is designed to be integrated to a dual lane conveyor.

- Built to cGMP standards
- Stainless steel construction
- Quick and easy change over

STANDARD FEATURES

- Servo motor and PLC controlled
- Memory capacity for 10 jobs
- Interlocked safety shields
- Pneumatic gating with container detection
- 1 - 7 Insertions per bottle
- ISO 9001:2000 Certified



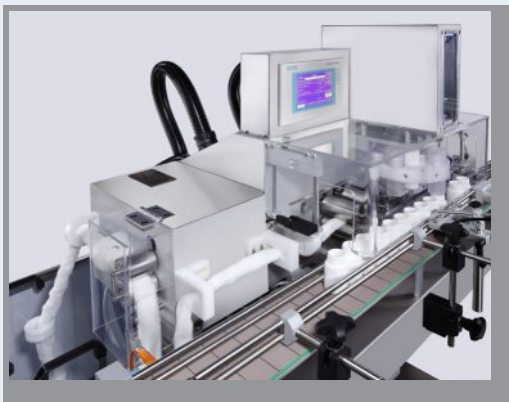
CVC 1117D Technical Specifications

Speed	Up to 80 Bottles per Minute(BPM) with single insertion per head
Bottle Height	2" to 8" (51mm to 203mm)
Bottle Diameter	1¼" to 4¼" (32mm - 108 mm)
Neck Opening	1" to 4" (25mm - 108 mm)
Cotton Length	70 - 150 mm
Power Source	220V, 50/60 Hz, Single Phase
Power Consumption	4 Amp
Air Pressure	Minimum 87 psi (ISO 8573-1)
Air Consumption	7 cfm (200 L/sq. cm)

TECHNICAL SPECIFICATIONS

AVAILABLE OPTIONS

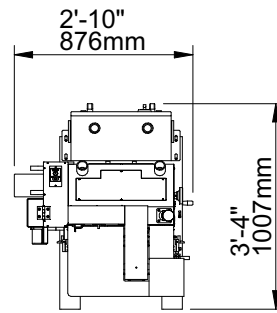
- Motorized sanitary conveyor (6" wide belt available)
- Infeed screw system
- Missing cotton detection & reject system
- Tower lamp
- 21 CFR Part 11 License



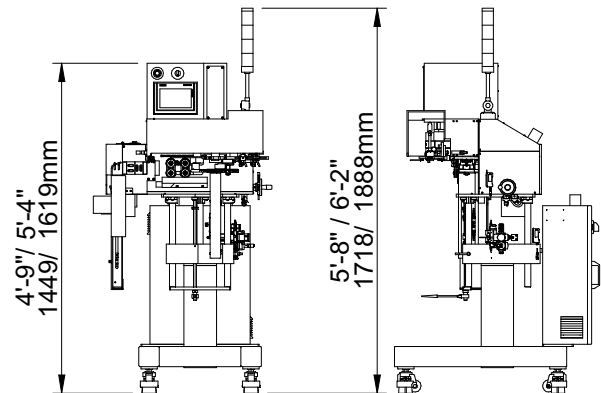
MOTORIZED FEEDER FOR COTTON COIL

MACHINE LAYOUTS

Top View



Front View



The dimensions shown are for standard machine. The conveyor can be extended: the length may vary based on selected options. This machine can run independently or be integrated into an automated packaging line. All CVC equipment is covered by a one-year parts warranty. Full Warranty details are included in our equipment proposals or can be found on our website.



Contact Us

USA

10861 Business Drive, Fontana, CA 92337
Phone: +1 (909) 355-0311
www.cvctechnologies.com
sales@cvcusa.com

USA East Coast Office

1855 New Highway, Suite C, Farmingdale NY 11735
sales@cvcusa.com

Taiwan-Asia Pacific Headquarters

Phone: +886 (4) 2496-3666
sales@cvctechnologies.com

China/India/Indonesia

sales@cvctechnologies.com