



Servo Softgel Machine

1. Pharmaceutical & Nutraceutical
2. cGMP & Pharmaceutical Softgel production purpose
3. Providing an additional Ethernet port and address mapping service to meet customer's SCADA communication system
4. Driven by servo motors
5. Easy attachable capsule stripper

380SR

SPECIFICATION

Dimension: 2,018(L) × 1,204(W) × 2,080(H) mm

Weight: 1,300 KG

Electric Power: AC 220, 380, 440 V / 50,60 Hz / 3 Ph

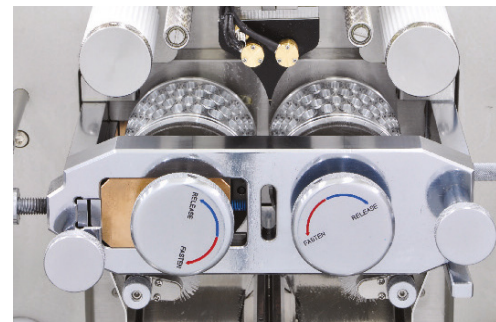
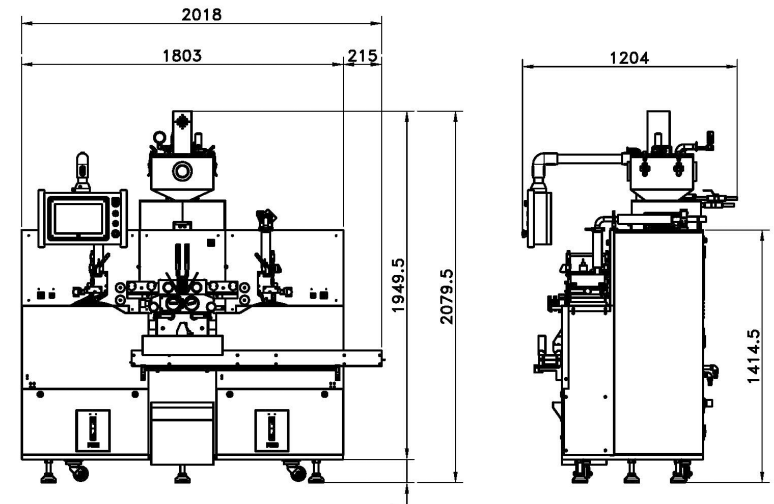
Power Consumption: 20 kW

Die Roll Speed: 4 rpm

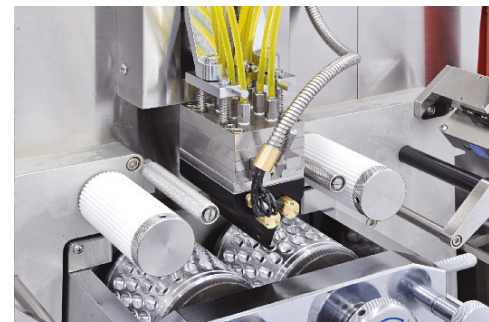
Compressed Air: 5 kg f/cm²

Die Roll Size: Ø103 x 180 mm

Productivity: AVG. 30,000 caps/hr at 4 rpm (Ob#20)



Die Roll Housing



Wedge



Touch Screen