



## Servo Softgel R&D machine

1. Anodizing aluminum and stainless steel
2. Driven by servo motors
3. Easy to change the filling volume on the touch screen (EFA)
4. Easy attachable capsule striper
5. Complying with GMP
6. Complying with TIR securely

# SRD

### SPECIFICATION

**Dimension:** 1,738(L) X 905(W) X 1,725(H) mm

**Weight:** 670 KG

**Electric Power:** AC 220, 380, 440 V / 50,60 Hz / 3 Ph

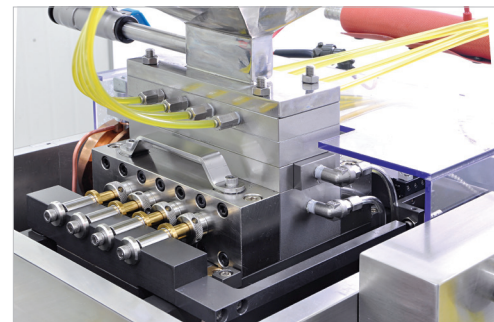
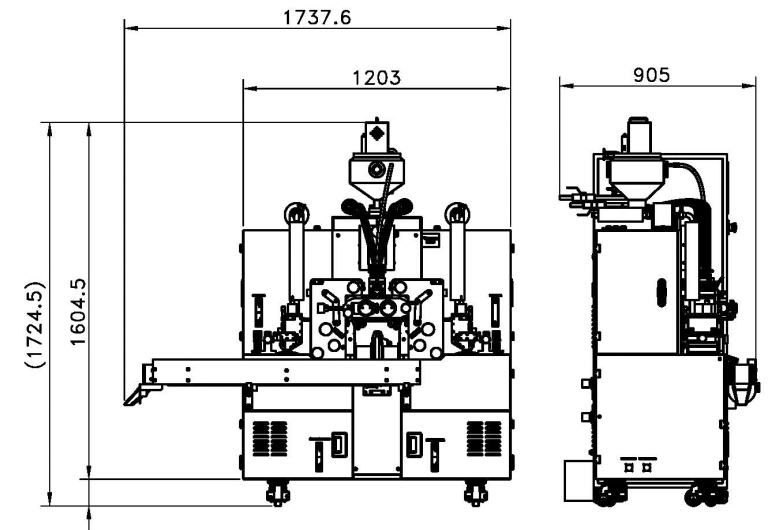
**Power Consumption:** 18 kW

**Die Roll Speed:** 3 rpm

**Compressed Air:** 5 kg f/cm<sup>2</sup>

**Die Roll Size:** Ø100 x 100 mm

**Productivity:** AVG. 8,000 caps/hr at 3 rpm (Ob#20)



Injection Pump & Pump Block



Separate Control Box



Die Roll Housing