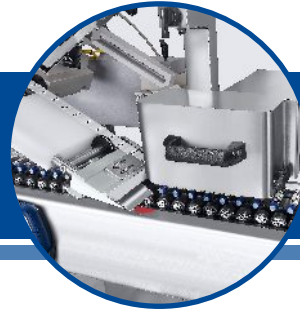




# HORIZONTAL AMPULE LABELER

## CVC 350



The CVC 350 Horizontal Ampule Labeler is built to automatically apply pressure sensitive labels onto round containers that will not convey upright on a conveyor. The CVC 350 comes with a roller chain conveyor and can be purchased with an optional product loader. The CVC 350 is an ideal machine for contract packagers and manufacturers serving the biotech, nutraceutical, cosmetic, and personal care markets.

All CVC labelers include our patented Self Set™ software which utilizes a high frequency encoder for extremely easy setup and wrinkle free labeling at the touch of a button.

### STANDARD FEATURES

- Self-set auto adjusting control system
- Stainless steel frame on lockable casters
- Touchscreen HMI
- Label head with up to  $\pm 1$  mm accuracy (\* bottles / containers dependent)
- Label sensor for paper or opaque labels
- Product sensor with opaque
- Compact design, available with both on-line and off-line operations.
- Type 304 stainless steel construction
- ISO 9001 : 2015 certified



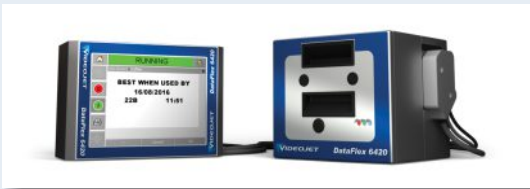
### CVC 350 Technical specifications

Speed	Up to 250 Bottles per minute (BPM) (subject to our trial confirmation)
Bottle Height	Configurable from 1 5/8" to 2 3/4" (40 mm - 70 mm)
Bottle Diameter	Configurable from 3/8" to 1" (10 mm - 24 mm) dependent on conveyor width
Label Width / Height	Configurable from 5/8" to 3 3/4" (15mm - 96mm) dependent on label head type
Label Length	5/8" to 3" (15mm - 75mm)
Label Roll	Max 14" (356mm) outside diameter with 3" (76mm) core
Conveyor Width	Configurable up to 5 5/8" (144mm) / 7 5/8" (194mm)
Conveyor Length	Standard 66 7/8" (1700mm) (Extendable)
Power Source	110V/220V, Single Phase
Power Consumption	352 VA (3.2Amp/110V, 1.6Amp/220V)
Air Pressure	6 bar (87 psi) (ISO 8573-1)
Air Consumption	50 NLit/m (2cfm) (for optional Lot/Date printer)
Machine Dimension	5'-8" x 2'-7" x 5'-1" (1,730 mm x 800 mm x 1,560 mm) (L x W x H)
Machine Weight	230 kg (507 lbs)
Noise Level	70~75 dB

# TECHNICAL SPECIFICATIONS

## AVAILABLE OPTIONS

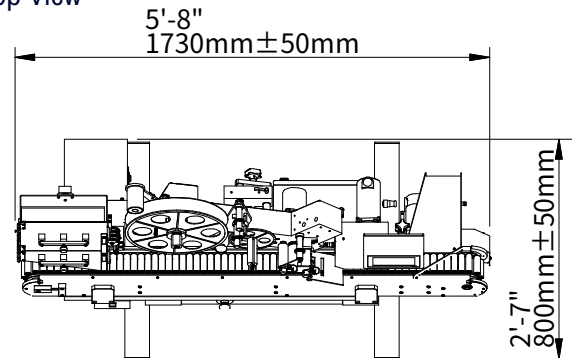
- C60 Hot Stamp (Lot/Date Coding)
- Missing Hot Stamp Imprint Check
- Integrated Thermal Printer (Lot/Date, Bar Code and Graphics)
- Dataflex or Similar Lot/date Code Printer
- Clear , Metallic or Color Label Sensor
- Product Loader
- Adjustable Tilt for Tapered Bottles
- Custom made Wrap Station
- Automatic Vertical Stand-up Accumulation System



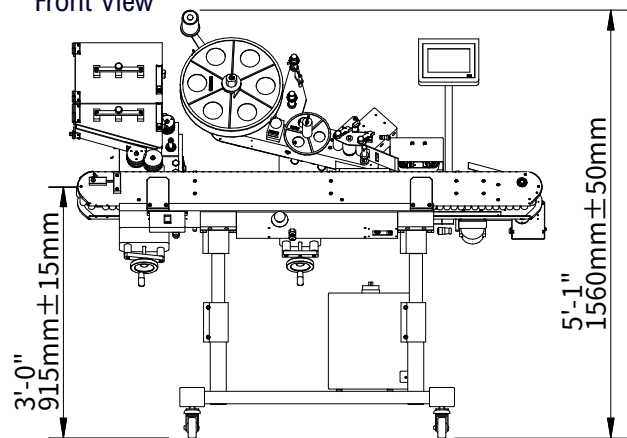
Integrated Thermal Printer

## MACHINE LAYOUTS

### Top View



### Front View



The dimensions shown are for standard machine. The conveyor can be extended: the length may vary based on selected options. This machine can run independently or be integrated into an automated packaging line. All CVC equipment is covered by a one-year parts warranty. Full Warranty details are included in our equipment proposals.



## Contact Us

### USA

10861 Business Drive, Fontana, CA 92337  
Phone: +1 (909) 355-0311  
[www.cvctechnologies.com](http://www.cvctechnologies.com)  
[sales@cvcusa.com](mailto:sales@cvcusa.com)

### USA East Coast Office

1855 New Highway, Suite C, Farmingdale NY 11735  
[sales@cvcusa.com](mailto:sales@cvcusa.com)

### Taiwan-Asia Pacific Headquarters

Phone: +886 (4) 2496-3666  
[sales@cvctechnologies.com](mailto:sales@cvctechnologies.com)

### China/India

[sales@cvctechnologies.com](mailto:sales@cvctechnologies.com)