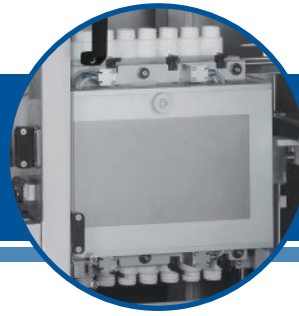




BOTTLE UNSCRAMBLER & AIR RINSER

CVC 1263D



The CVC 1263D Bottle Unscrambler is designed to automatically feed bottles from a bin and place them upright onto a conveyor at speeds of up to 120 bottles per minute. The CVC 1263D is built on a Siemens control system including a HMI panel. Options include ionized air rinse with vacuum, fallen bottle sensor with return to bin, low level hopper sensor, tower lamp, and static eliminator bar. No change parts required.

STANDARD FEATURES

- Display touchscreen instruction for machine operation is available in two languages
- Interlocked safety guarding
- Low level hopper sensor
- Bottle backlog sensor at outfeed
- Type 304 stainless steel bin, frame, enclosure panels.
- Type 316 stainless steel contact parts.
- ISO 9001:2015 certified.



CVC 1263D Technical Specifications

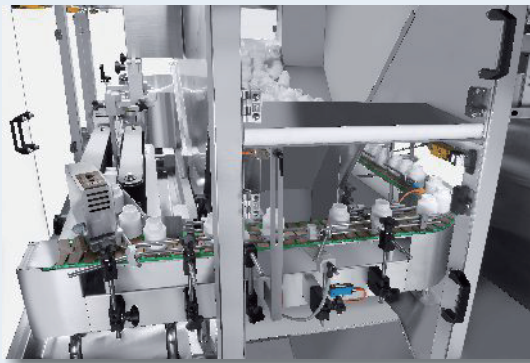
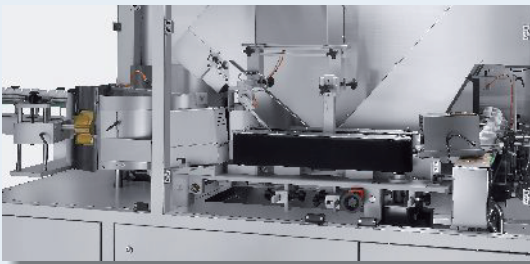
Type	U4
Productivity	Up to 100-120 BPM (base on 40-100 cc round bottle, subject to trial confirmation)
Applicable Size	Bottle Dia.: Ø30-120 mm (1 1/4" to 4 1/2") Bottle Height: 50-200 mm (2" to 7 3/4") Min. Container Dia./ Height: 1: 1.5
Hopper Capacity	180 L (6.4 Cuft)
Ionized Air Rinser	N/A
Air Filter Efficiency	0.01 µm (99.99 %)
Power Source	220 V, 50/60 HZ, 1 PH
Power Consumption	1,900 VA (8.7 A) (when equipped with Air Rinse & Vacuum)
Air Pressure	6 bar (87 psi)
Air Consumption	1,500 NL/min (53 CFM) (when equipped with Air Rinse Assembly)
Machine Dimensions (L x W x H)	2,380 x 1,935 x 2,140 mm (approx) (7'-10" x 6'-4" x 7')
Machine Weight	1,200 kg (2,646 lbs)
Noise Level	≤ 78 dB

Technical data contained in this material are not binding and may be subject to change without prior notice.

TECHNICAL SPECIFICATIONS

AVAILABLE OPTIONS

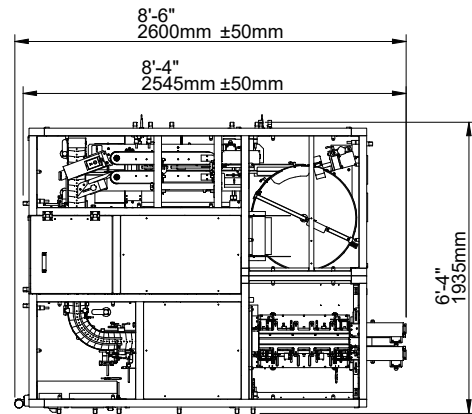
- Static Electricity Eliminator
- Vacuum block detection assembly
- Upside down bottle, fallen bottle reject assembly
- Tower lamp
- 21CFR Part 11 License



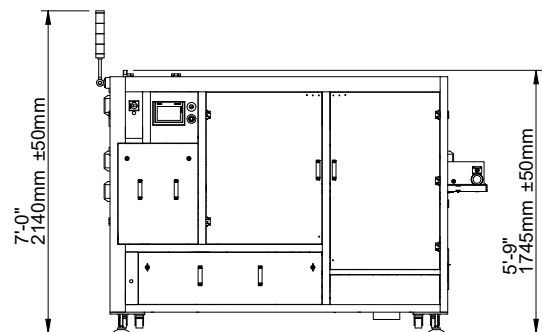
BOTTLE ORIENTATING ASSEMBLY

MACHINE LAYOUTS

Top View



Front View



The dimensions shown are for standard machine. The conveyor can be extended: the length may vary based on selected options. This machine can run independently or be integrated into an automated packaging line. All CVC equipment is covered by a one-year parts warranty. Full Warranty details are included in our equipment proposals or can be found on our website.



Contact Us

USA

10861 Business Drive, Fontana, CA 92337
Phone: +1 (909) 355-0311
www.cvcusa.com ; www.cvctechnologies.com
sales@cvcusa.com

Taiwan-Asia Pacific Headquarters

Phone: +886 (4) 2496-3666
sales@cvctechnologies.com

India

Phone: +91 (22) 2562-1242, +91 (22) 2562-1243
sales@cvctechnologies.com

China

Phone: +86 (512) 8363-6368
sales@cvctechnologies.com